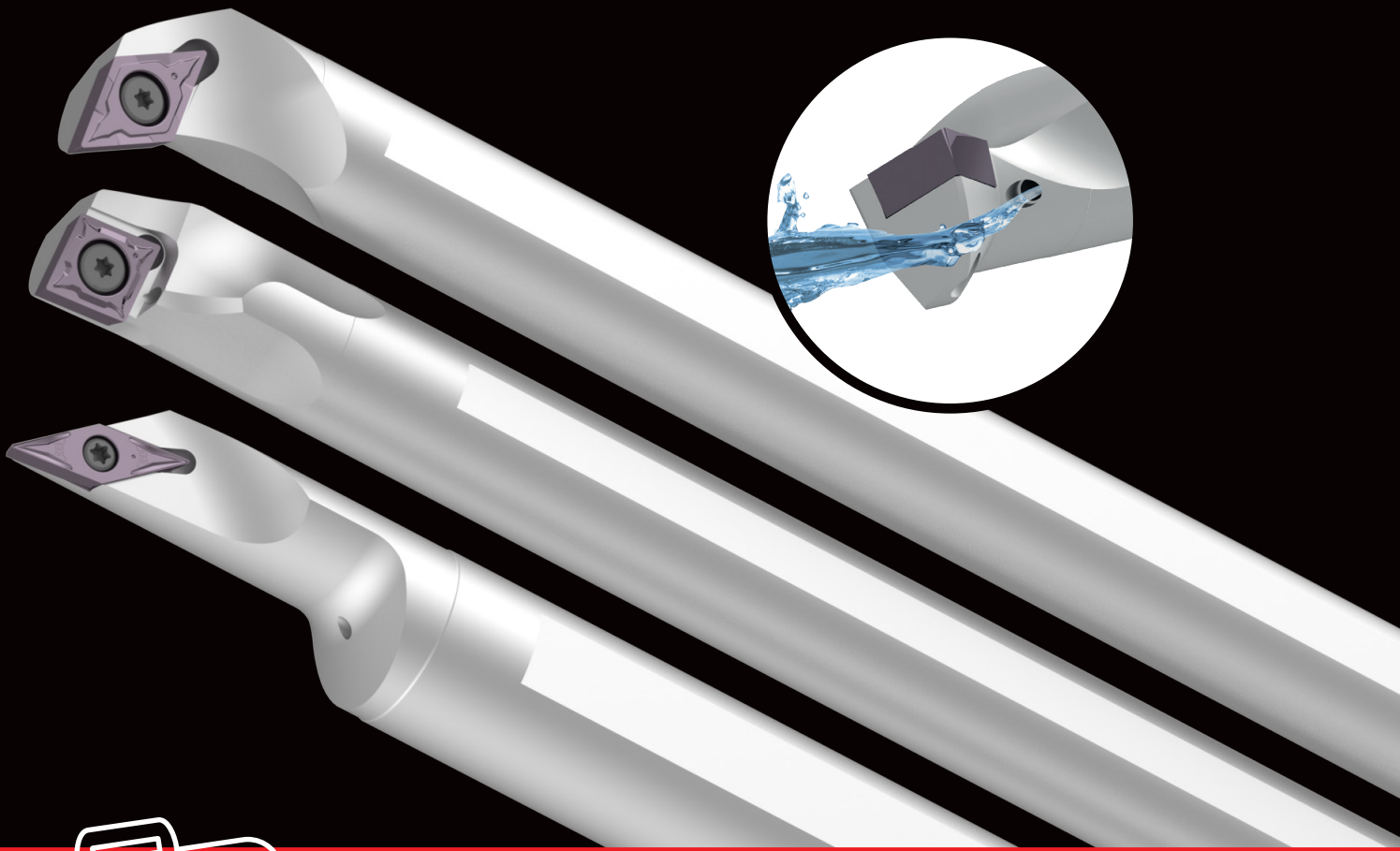


PPU INSERTS + VORTEX BAR



SPECIAL
KIT Action

PPU Inserts with Vortex Bar
Solution package for precision boring
(including interrupted cut finishing
& thin wall boring)

nikkoTOOLS
SORMA CUTTING SOLUTIONS

PPU INSERTS + VORTEX BAR

nikkoTOOLS
SORMA CUTTING SOLUTIONS

**SPECIAL
KIT**



Try Vortex Bar + PPU inserts!

Each kit includes 4 Vortex bars and 10 PPU inserts

R			
		DMIN	
	1 x NT-V10K-SCLCR06-12 (Ø10)		12
	1 x NT-V12M-SCLCR06-14 (Ø12)	INTERNAL COOLANT	14
	1 x NT-V16Q-SCLCR09-18 (Ø16)		18
	1 x NT-V20R-SCLCR09-22 (Ø20)		22
	5 x CCGT060204-PPU 5 x CCGT09T304-PPU	JP5125	U-VORTEX-CC01R

L			
		DMIN	
	1 x NT-V10K-SCLCL06-12 (Ø10)		12
	1 x NT-V12M-SCLCL06-14 (Ø12)	INTERNAL COOLANT	14
	1 x NT-V16Q-SCLCL09-18 (Ø16)		18
	1 x NT-V20R-SCLCL09-22 (Ø20)		22
	5 x CCGT060204-PPU 5 x CCGT09T304-PPU	JP5125	U-VORTEX-CC01L

R			
		DMIN	
	1 x NT-V10K-SDUCR07-14 (Ø10)		14
	1 x NT-V12M-SDUCR07-16 (Ø12)	INTERNAL COOLANT	16
	1 x NT-V16Q-SDUCR11-23 (Ø16)		23
	1 x NT-V20R-SDUCR11-27 (Ø20)		27
	5 x DCGT070204-PPU 5 x DCGT11T304-PPU	JP5125	U-VORTEX-DC01R

L			
		DMIN	
	1 x NT-V10K-SDUCL07-14 (Ø10)		14
	1 x NT-V12M-SDUCL07-16 (Ø12)	INTERNAL COOLANT	16
	1 x NT-V16Q-SDUCL11-23 (Ø16)		23
	1 x NT-V20R-SDUCL11-27 (Ø20)		27
	5 x DCGT070204-PPU 5 x DCGT11T304-PPU	JP5125	U-VORTEX-DC01L

PPU INSERTS + VORTEX BAR

nikkoTOOLS
SORMA CUTTING SOLUTIONS



Try Vortex Bar + PPU inserts!

Each kit includes 3 Vortex bars and 10 PPU inserts

R			INTERNAL COOLANT 	10
	1 x NT-V08H-SCLCR06-10 (Ø8)	12		
	1 x NT-V10K-SCLCR06-12 (Ø10)	14		
	1 x NT-V12M-SCLCR06-14 (Ø12)			
	10 x CCGT060204-PPU	JP5125	U-VORTEX-3CCR	

L			INTERNAL COOLANT 	10
	1 x NT-V08H-SCLCL06-10 (Ø8)	12		
	1 x NT-V10K-SCLCL06-12 (Ø10)	14		
	1 x NT-V12M-SCLCL06-14 (Ø12)			
	10 x CCGT060204-PPU	JP5125	U-VORTEX-3CCL	



Each kit includes 2 Vortex bars and 10 PPU inserts

R			INTERNAL COOLANT 	25
	1 x NT-V20R-SVJBR11-25 (Ø20)	30		
	1 x NT-V25S-SVJBR11-30 (Ø25)			
	10 x VCGT110304-PPU	JP5125	U-VORTEX-VC01R	

L			INTERNAL COOLANT 	25
	1 x NT-V20R-SVJBL11-25 (Ø20)	30		
	1 x NT-V25S-SVJBL11-30 (Ø25)			
	10 x VCGT110304-PPU	JP5125	U-VORTEX-VC01L	

Why choosing Vortex Bar?

- Special chip groove design improves chip ejection
- High quality steel reduces vibration even with significant overhang (max 5XD)
- Internal coolant channels on the full line-up

Why choosing PPU inserts?

- Very robust geometry with low cutting force, reliable, avoids the deformation of the part and reduces vibration in boring application
- Heat resistant grade specific for stainless steel and super alloys, provides long-lasting reliability
- Optimized coupling of the geometry and the grade allowing to win multiple challenges, such as precision interrupted boring of thin walls
- Universal solution, fits from difficult application to conventional machining



Via Don F. Tosatto, 8
30174 Mestre - Venezia
+39 041.959179
info@nikkotools.com

www.nikkotools.com

