

EXTRA



News & Promotions

Valid until 28.02.2025



THE WB625 WORKBENCH – Think big! 115 cm of room for lots of premium tools!

With its seven extra-wide drawers, our new workbench WB625 provides a maximum amount of storage space and is also extremely durable. Particularly comfortable: the birch multiplex worktop with a working height of 104 cm. Includes an individually adjustable paper roll holder for paper rolls up to 30 cm wide.



Workbench WB625

Code 85010625

€ 1,099.00*

instead of € 2,233.75

104
cm

Only from STAHLWILLE: Worktop height of 104 cm for comfortable working. The sturdy construction and the birch multiplex worktop provide the durability that is typical of STAHLWILLE.



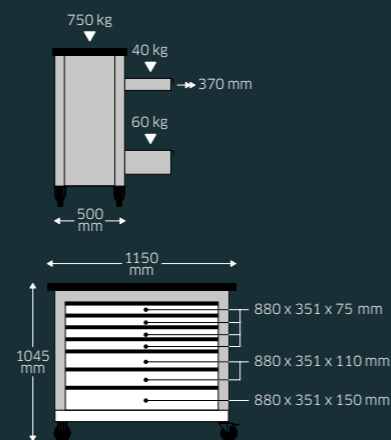
Oil and acid-resistant smooth-running wheels (Ø 125 mm) with fibre guards to protect the bearings from dirt and fibres; with two locking brakes.



Three-stage safety concept: Central locking with recessed cylinder lock located on the side. Together with the folding key, this provides protection against injuries and damage. The individual locking mechanism prevents unintentional opening during movement – the anti-tilt protection makes it impossible to pull out multiple drawers simultaneously.



Everything in XXL. The seven removable drawers with full extension and a width of 880 mm provide lots of storage space. The multiplex worktop is not only extremely large (1150 x 500 x 30 mm), but is also FSC-certified.



WB625 set incl. 161-piece tool set WB625/161QR

Code 98830179

€ 1,999.00*

instead of € 4,116.75



WB625 set incl. 267-piece tool set WB625/267QR

Code 98830181

€ 2,699.00*

instead of € 5,759.75



978...

What's inside? Get all of the information here: Go to www.stahlwille.com, enter the code number in the search field and you'll be given an overview of the entire tool range.

WB625 Workbench

Code	No.	Description	W mm	H mm	L mm	EXTRA price excl. VAT.	instead of € excl. VAT.
85010625	WB625	Workbench, empty	1150	1045	500	€ 1,099.00	€ 2,233.75
98830179	WB625/161QR	Workbench, including a 161-piece premium tool set	1150	1045	500	€ 1,999.00	€ 4,116.75
98830181	WB625/267QR	Workbench, including a 267-piece premium tool set	1150	1045	500	€ 2,699.00	€ 5,759.75



THE WB621 WORKBENCH – the all-rounder with the perfect working height.

The unique layout with two XXL drawers, an additional five drawers and the locker section provides maximum flexibility in terms of loading, and makes the WB621 the ideal partner for tool storage for tradespeople and industry alike. Includes an individually adjustable paper roll holder for paper rolls up to 30 cm wide.



Workbench WB621

Code 85010621

€ 1,159.00*

instead of € 2,270.24



The locker section features a height-adjustable shelf (adjustable in 7 cm increments), two rubberised cable outlets, and a removeable cable duct on the back.



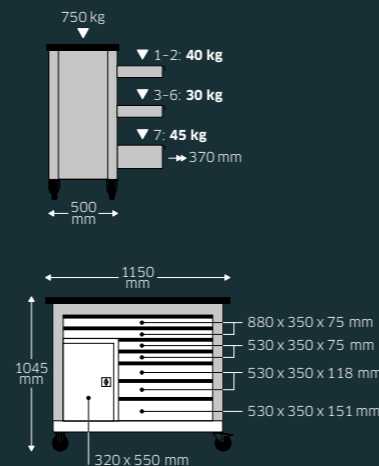
Oil and acid-resistant smooth-running wheels (Ø 125 mm) with fibre guards to protect the bearings from dirt and fibres; with two locking brakes.



Three-stage safety concept: Central locking with recessed cylinder lock located on the side. Together with the folding key, this provides protection against injuries and damage. The individual locking mechanism prevents unintentional opening during movement – the anti-tilt protection makes it impossible to pull out multiple drawers simultaneously.



Only from STAHLWILLE: Worktop height of 104 cm for comfortable working. The sturdy construction and the multiplex worktop provide the durability that is typical of STAHLWILLE.



WB621 set incl. 161-piece tool set WB621/161QR

Code 98830194

€ 2,099.00*

instead of € 4,153.24



WB621 set incl. 267-piece tool set WB621/267QR

Code 98830195

€ 2,699.00*

instead of € 5,796.24



978...

What's inside? Get all of the information here: Go to www.stahlwille.com, enter the code number in the search field and you'll be given an overview of the entire tool range.

WB621 Workbench

Code	No.	Description	W mm	H mm	L mm	EXTRA price excl. VAT.	instead of € excl. VAT.
85010621	WB621	Workbench, empty	1150	1045	500	€ 1,159.00	€ 2,270.24
98830194	WB621/161QR	Workbench, including a 161-piece premium tool set	1150	1045	500	€ 2,099.00	€ 4,153.24
98830195	WB621/267QR	Workbench, including a 267-piece premium tool set	1150	1045	500	€ 2,699.00	€ 5,796.24

*Recommended retail price, valid until 28.02.2025. Only for participating dealers and while stocks last.



THE TTS95 PRO – compact and manoeuvrable tool trolley with innovative features.

The TTS95 PRO is the premium all-rounder, providing a wide range of highlights such as fully extendable drawers, a three-stage safety concept, and all-round impact protection with shock absorbers. The tightly welded and structured stainless steel worktop is particularly practical, since it is resistant to scratches and prevents liquids from penetrating into the interior of the trolley. Always handy: the paper roll and spray can holder. This model features a high static load-bearing capacity of 750 kg.

Tool trolley 95/7 A PRO

Code 81200163

€ 699.00*

instead of € 1,550.00



including spray can holder



The 95 PRO tool trolley is available in red, blue and anthracite!



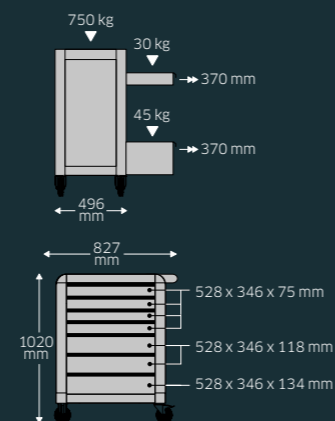
Oil and acid-resistant smooth-running wheels (Ø 125 mm) with fibre guards to protect the bearings from dirt and fibres; with two locking brakes.



Three-stage safety concept: Central locking with recessed cylinder lock located on the side. Together with the folding key, this provides protection against injuries and damage. The individual locking mechanism prevents unintentional opening during movement – the anti-tilt protection makes it impossible to pull out multiple drawers simultaneously.



All drawers are 100% extendable thanks to the full-extension runners. In combination with the STAHLWILLE standard TCS inserts or the variable drawer dividers, you always have a clear overview of the contents.

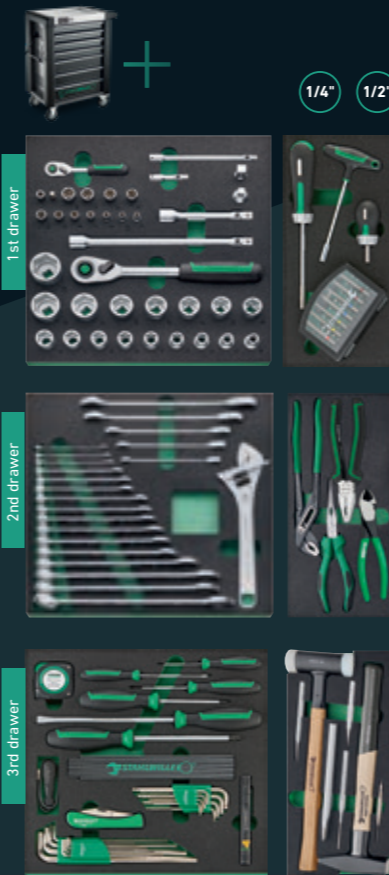


TTS95 PRO Set incl. 157-piece tool set 95/157QR

Code 98830192

€ 1,499.00*

instead of € 3,298.72

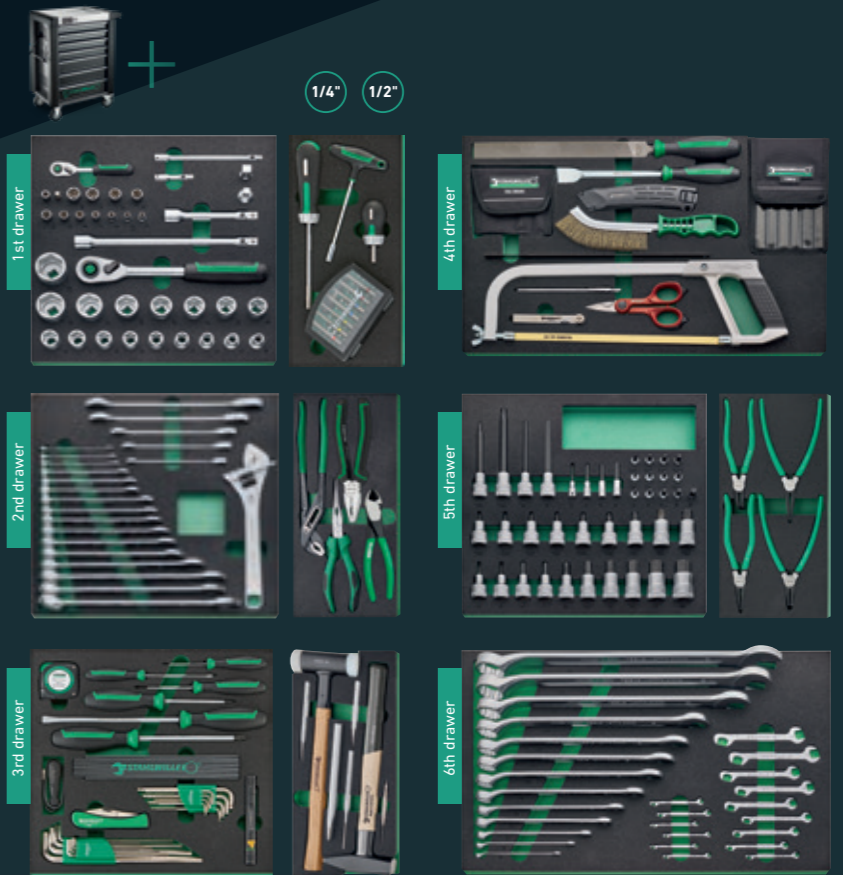


TTS95 PRO Set incl. 250-piece tool set 95/250QR

Code 98830193

€ 2,099.00*

instead of € 4,758.09



978...

What's inside? Get all of the information here: Go to www.stahlwille.com, enter the code number in the search field and you'll be given an overview of the entire tool range.

95 PRO Tool trolley

Code	No.	Description	W mm	H mm	L mm	EXTRA price excl. VAT.	instead of € excl. VAT.
81200163	95/7 A PRO	Tool trolley, empty, anthracite	827	1020	496	€ 699.00	€ 1,550.00
81200165	95/7 R PRO	Tool trolley, empty, red	827	1020	496	€ 699.00	€ 1,550.00
81200164	95/7 B PRO	Tool trolley, empty, blue	827	1020	496	€ 699.00	€ 1,550.00
98830192	95/157QR	Tool trolley, anthracite, including 157-piece premium tool set	827	1020	496	€ 1,499.00	€ 3,298.72
98830193	95/250QR	Tool trolley, anthracite, including 250-piece premium tool set	827	1020	496	€ 2,099.00	€ 4,758.09



THE TTS93 – perfect configuration at an impressive price.

Regardless of whether it is purchased alone or complete with one of our two premium tool sets, the STAHLWILLE TTS93 is the perfect partner for trade and industry alike. Includes many practical features and it comes at an impressive price.

Tool trolley 93/6 A

Code 81200154

€ 599.00*

instead of € 1,150.00



Central locking by means of cylinder lock with folding key. The anti-tilt feature makes it impossible to pull multiple drawers out simultaneously.



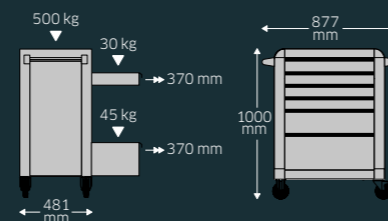
Oil and acid-resistant smooth-running wheels (Ø 125 mm) with fibre guards to protect the bearings from dirt and fibres; with two locking brakes.



All drawers are 100% extendable thanks to the full-extension runners. In combination with the STAHLWILLE standard TCS inserts or the variable drawer dividers, you always have a clear overview of the contents.



High static load capacity of up to 500 kg. The bottom drawer has a load capacity of up to 45 kg!



TTS93 set incl. 130-piece tool set 93/130

Code 98830177

€ 1,079.00*

instead of € 2,516.15

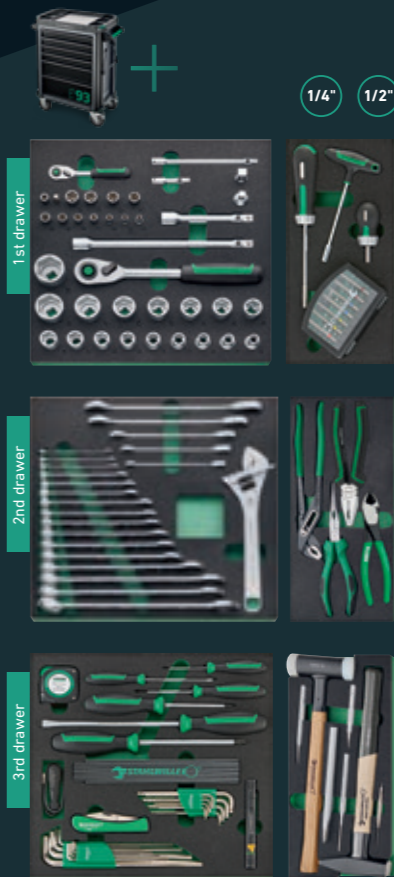


TTS93 set incl. 157-piece tool set 93/157QR

Code 98830178

€ 1,349.00*

instead of € 3,141.59



978...

What's inside? Get all of the information here: Go to www.stahlwille.com, enter the code number in the search field and you'll be given an overview of the entire tool range.

The TTS93 is available in red, blue, and anthracite, each with 6 drawers!



93 Tool trolley

Code	No.	Description	W mm	H mm	L mm	EXTRA price excl. VAT.	instead of € excl. VAT.
81200154	93/6 A	Tool trolley, empty, anthracite	877	1000	481	€ 599.00	€ 1,150.00
81200155	93/6 R	Tool trolley, empty, red	877	1000	481	€ 599.00	€ 1,150.00
81200156	93/6 B	Tool trolley, empty, blue	877	1000	481	€ 599.00	€ 1,150.00
98830177	93/130	Tool trolley, anthracite, incl. 130-piece premium tool set	877	1000	481	€ 1,079.00	€ 2,516.15
98830178	93/157QR	Tool trolley, anthracite, including 157-piece premium tool set	877	1000	481	€ 1,349.00	€ 3,141.59



THE TOP BOX – stationary or mobile. It doesn't get more flexible than this.

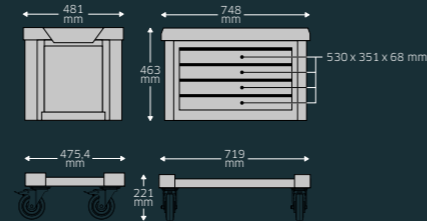
For anyone who wants flexibility. The practical TTS93 Top Box can be used either individually, on the matching caddy, as a top-mounted box for the TTS93 tool trolley or on a shelf in the workshop. The Top Box is only available in black.

TTS93 Top Box

Code 81200157

€ 299.00*

instead of € 746.00



Top Box Caddy

Matching caddy – high mobility thanks to four swivel castors, two of which come with a parking brake. Available separately.

Code 81200158

€ 119.00*

instead of € 225.00



Need more room? Simply stack multiple Top Boxes on top of each other – you can also do so on the Caddy.

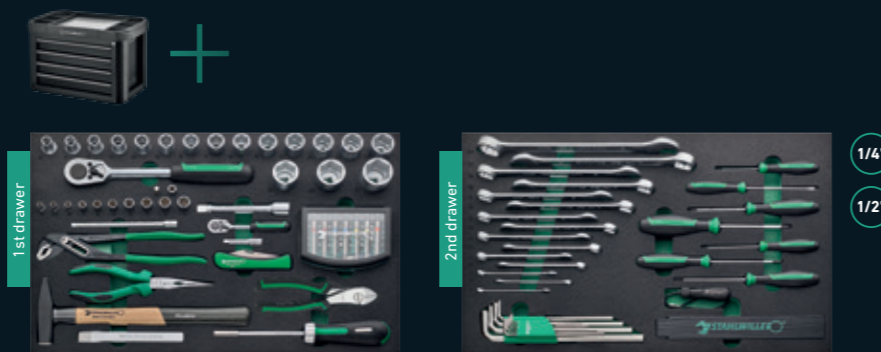
For all those who want more. The Top Box can be used on the TTS93 tool trolley. For even more storage space.

TTS93 Top Box set incl. 130-piece tool set

Code 98830189

€ 849.00*

instead of € 2,136.16



Q 978...

What's inside? Get all of the information here: Go to www.stahlwille.com, enter the code number in the search field and you'll be given an overview of the entire tool range.

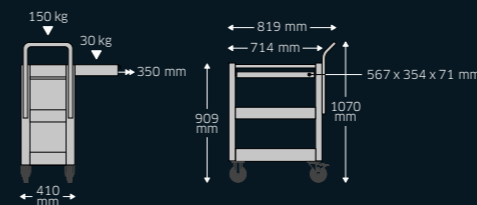


Service trolley 612 ST

Service trolley without tools.
Code 81300612

€ 189.00*

instead of € 323.51



612 ST Service Trolley

Code	No.	Description	W mm	H mm	L mm	EXTRA price excl. VAT.	instead of € excl. VAT.
81300612	612 ST	Service trolley, empty	819	909	410	€ 189.00	€ 323.51
98830176	612/83 ST	Service Trolley, including 83-piece premium tool set	819	909	410	€ 389.00	€ 758.95

Service trolley set incl. 83-piece tool set 612/83 ST



Mobile shelving, an open storage space, or a work surface. The 612 ST Service Trolley is versatile and is always there when you need it. By request, also available with the universal 83-piece premium tool set in the practical drawer.

Code 98830176

€ 389.00*

instead of € 758.95

Accessories for tool trolleys and workbenches

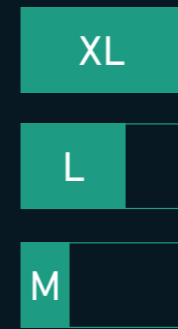
Product	Code	No.	Description	suitable for	EXTRA price excl. VAT.	instead of € excl. VAT.
	89011053	AB 95/98	Waste basket	TTS95 PRO, TTS98 PRO	€ 24.90	€ 44.26
	90432727	SDH 923	Spray can holder, narrow	TTS93, TTS95 PRO, TTS98 PRO, WB625, WB621, 93 TOP BOX	€ 13.50	€ 19.82
	83812070	912	Empty tray for small components	TTS93, TTS95 PRO, TTS98 PRO, WB625, WB621, 93 TOP BOX, 612 ST	€ 19.00	€ 27.51
	81484001	VE 50-150 3/3	Drawer dividers 3/3	TTS93, TTS95 PRO, TTS98 PRO, WB625, WB621, 93 TOP BOX, 612 ST	€ 22.90	€ 32.49
	81484002	VE 50-150 2/3	Drawer dividers 2/3	TTS93, TTS95 PRO, TTS98 PRO, WB625, WB621, 93 TOP BOX, 612 ST	€ 16.90	€ 27.17
	89010041	LH 928	Laptop holder	WB625, WB621 (with adapter, also TTS93, TTS95 PRO, TTS98 PRO)	€ 179.00	€ 361.82
	89010042	LH 928	Laptop holder adapter	TTS93, TTS95 PRO, TTS98 PRO	€ 14.90	€ 24.45

*Recommended retail price, valid until 28.02.2025. Only for participating dealers and while stocks last.



TCS SETS – maximum quality in a small space. Perfectly sorted. Perfectly protected.

TCS inlay system



Per drawer
1 x XL
or
1 x L + 1 x M
or
3 x M



Per drawer
1 x XL + 1 x L
or
1 x L + 1 x M + 2 x M
or
3 x M + 2 x M



L

€ 309.00*
instead of € 579.68

TCS set 1/2" + 1/4", 38-piece
TCS 1 821/38
Code 96830264



L

€ 179.00*
instead of € 439.30

TCS set of spanners, 22-piece
TCS 4 821/22
Code 96830267



XL

€ 226.00*
instead of € 500.43

TCS set of spanners, 28-piece
TCS 9 821/28
Code 96830272



XL

€ 159.00*
instead of € 323.80

TCS set of files, 21-piece
TCS 8 821/21
Code 96830271

12



M

€ 89.90*
instead of € 186.81

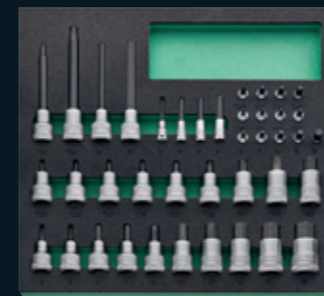
TCS set of bits, 59-piece
TCS 2 821/59
Code 96830265



M

€ 83.50*
instead of € 192.47

TCS set of impact tools, 7-piece
TCS 6 821/7
Code 96830269



L

€ 219.00*
instead of € 592.15 €

TCS set of screwdriver bits, 40-piece
TCS 11 821/40
Code 96830274



L

€ 133.00*
instead of € 292.70

TCS set of screwdrivers, 27-piece
TCS 5 821/27
Code 96830268

13



M

€ 99.90*
instead of € 189.07

TCS set of pliers, 4-piece
TCS 3 821/4
Code 96830266



M

€ 79.90*
instead of € 144.93

TCS set of circlip pliers, 4-piece
TCS 10 821/4
Code 96830273



M

€ 85.00*
instead of € 149.45

TCS set of electric screwdrivers, 9-piece
TCS 7 821/9
Code 96830270



M

€ 56.00*
instead of € 123.41

TCS set of screwdrivers, 8-piece
TCS 12 821/8
Code 96830275

*Recommended retail price, valid until 28.02.2025. Only for participating dealers and while stocks last.



MOBILE SOLUTIONS – For those that want the best tools, even when on the move.



Multi-use Tool set 13215/105

The STAHLWILLE backpack trolley 13215 is the perfect mobile companion. Be it as a trolley with a telescopic handle or as a backpack, you've always got your tools to hand with the 13215. It also has separate compartments for a laptop and paperwork. With the 105-piece Multi-use tool set, you'll always have everything you need.

Code 98810302

€ 449.00*

instead of € 868.16



Backpack trolley 13215

Backpack trolley without tools.
Code 81620007

€ 149.00*

instead of € 281.45



Multi-purpose set 13250 MFS

23-piece multi-purpose tool set with high-quality tools for use in workshops and households.

Code 97241221

€ 134.00*

instead of € 259.28



14



On-board tool set Agriculture

The right tool doesn't need a lot of space. This 38-piece selection is based on the experience of farmers and agricultural machinery mechatronic specialists from the field – who know exactly what is required to get the job done.

Code 97830217

€ 289.00*

instead of € 765.36



Expansion set Agriculture

The on-board agricultural tool set can be extended with a supplemental 10-piece set of tools for even more convenience when working.

Code 96830278

€ 133.00*

instead of € 269.46

15



L-BOXX® – the mobile tool storage solution for trade and industry.



The L-BOXX® is available from STAHLWILLE either empty or with one of three customised tool sets.

Basic set L-BOXX/95

STAHLWILLE L-BOXX® with a 95-piece basic set for everyday use.
Code 97830700

€ 329.00*
instead of € 790.79



Industry set L-BOXX/111

STAHLWILLE L-BOXX® with an 111-piece tool set for use in industrial applications.
Code 97830701

€ 459.00*
instead of € 1,046.51



Electrical set L-BOXX/96

STAHLWILLE L-BOXX® with a 96-piece electrical tool set.
Code 97830702

€ 459.00*
instead of € 1,312.51



Cases L-BOXX

empty
Code 81620136

€ 42.00*
instead of € 78.82

Ideal for storing and safely transporting tools.

- Sturdy construction – impact and shock-resistant ABS plastic
- Perfect organisation and overview
- Protects the tools from damage
- Innovative click system for connecting and disconnecting any number of L-BOXX® in seconds
- Cover load 85 kg, can also be used as a step

MADE IN CRONENBERG
MADE IN GERMANY

*Recommended retail price, valid until 28.02.2025. Only for participating dealers and while stocks last.



TOOL SET – Hard-wearing and always to hand.

STAHLWILLE tool boxes are exceptionally durable thanks to their ABS plastic and aluminium frame with impact edge protection, and provide plenty of room and a clear overview.

Tool box incl. 69-piece premium tool set



with trolley
function

13302/TR/69

Tool box 13302/TR including a 69-piece premium tool set.
Code 98830184

€ 479.00*

instead of € 928.41



13301/69

Tool box 13301/69 including a 69-piece premium tool set.
Code 98830182

€ 369.00*

instead of € 769.90

Tool box incl. 48-piece VDE tool set



with trolley
function

NEW



13300/TR/48 VDE

Tool box 13300 including a 48-piece practical VDE tool set.

- Perfectly coordinated for installation and maintenance work on electrical systems
- All tools are disruptive discharge-proof up to 1,000 Volts
- Sturdy case with all-around aluminium frame
- Smooth-running castors and integrated telescopic rod provide convenient transport
- With two tool boards and a foam insert for secure tool storage

Code 96838193

€ 1,199.00*

instead of € 2,126.28

978...

What's inside? Get all of the information here: Go to www.stahlwille.com, enter the code number in the search field and you'll be given an overview of the entire tool range.

MADE IN CRONENBERG
MADE IN GERMANY

18

Tool box incl. 88-piece premium tool set



with trolley
function

13302/TR/88

Tool box 13302 including an 88-piece premium tool set.
Code 98830185

€ 699.00*

instead of € 1,520.56



13301/88

Tool box 13301 including an 88-piece premium tool set.
Code 98830183

€ 579,00*

instead of € 1,362.04

Tool trolley incl. 160-piece tool set



with trolley
function

NEW

13230 WT/TS

Tool trolley 13217 with a 160-piece premium tool assortment.

- Ideal for professional installations in industrial environments
- Extremely durable and resilient tool trolley with 5 easily removable and lockable drawers with pull-out stop and transparent lid
- With Tool Control System TCS for visually checking the tools are all present and correct

Code 98814924

€ 1,199.00*

instead of € 2,933.63

with trolley
function



13302/TR

Tool box 13302/TR, empty
Code 81620010

€ 229.00*

instead of € 438.72



13301

Tool box 13301, empty
Code 81620009

€ 129.00*

instead of € 250.25



807/5

The 160-piece premium tool set is also available without the tool trolley.

Code 97842804

€ 929.00*

instead of € 2,059.14



19

TORQUE WRENCH – precision made in Cronenberg.

Set with SENSOTORK® 701 701/32/1

- Compact torque wrench for small torques in the 1–20 N·m range
- Direct adjustment of the torque setting on the tool
- With integrated fine tooth ratchet with 80 teeth and QuickRelease technology, and numerous bits and HPQ® sockets

Code 96090005

€ 415.00*

instead of € 756.31



QuickRelease safety lock

Prevents unintentional detachment of sockets or insert tools and makes quick tool changes possible, from the extension bar to the socket that is being used.



No resetting to "0"

Unlike conventional torque wrenches, resetting to "0" to release the spring is not necessary.

Wheel-change set 721QR/20/3/1 Quick

The 5-piece wheel change set comes in a sturdy and practical plastic case that accommodates all of the most important tools for changing a tyre in one set.

- With QuickRelease safety lock for quick insert tool changes
- Special plastic coating protects the alloy wheels, wheel bolts and wheel nuts
- Colour-coded to make it quicker to find the right size

Code 96507214

€ 289.00*

instead of € 612.52



1/2" IMPACT socket set 51IMP K/3

3-piece wheel nut socket set with colour coded plastic sleeves, gentle on rims, in plastic case. Contents: 17 mm (green); 19 mm (blue); 21 mm (red).

Code 96838103

€ 34.90*

instead of € 73.59

MADE IN CRONENBERG
MADE IN GERMANY



THE CLASSIC, THE MANOSKOP® 730 – now also available in a VDE version.

The new MANOSKOP® 730 VDE provides the outstanding precision and ergonomics that you have come to expect from STAHLWILLE torque wrenches in a double-insulated enclosure made from special plastic – for reliable protection against dielectric breakdowns. And that's not all: The MANOSKOP® 730 VDE impresses in every respect, such as its low-wear release system or the ability to make ratchet changes yourself.

MANOSKOP® 730 VDE

Size 2.5
Code 96550125

€ 399.00*

instead of € 714.79

Size 5
Code 96550150

€ 439.00*

instead of € 772.30

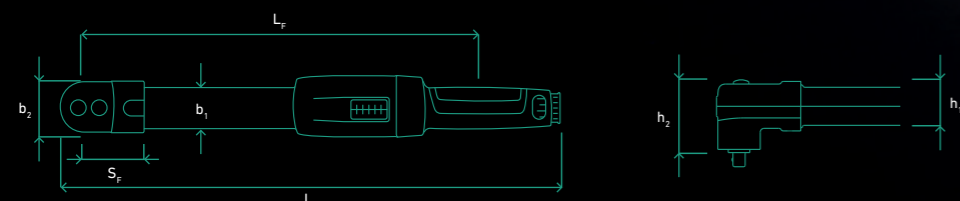
NEW

Exchangeable ratchet insert adaptor

22 With the MANOSKOP® 730 VDE, the user can change the ratchet insert adaptor (3/8", 9x12 mm) without the need for a new dielectric breakdown test – a unique feature!

Special plastic

The insulating plastic sheath of the MANOSKOP® 730 VDE provides reliable protection up to 1,000 Volts, and is still non-slip, abrasion-resistant and resistant to diluted alkaline solutions, hydrocarbons, fuels and oils.



MANOSKOP® 730 VDE

Code	Size	N-m	in-lb	ft-lb	mm	in	b ₁ mm	b ₂ mm	h ₁ mm	h ₂ mm	L mm	L _r mm	S _r mm	g	excl. VAT.	instead of
96550125	2.5	4–25	40–220	-	9x12	3/8	35	45	30	56	337	253.5	28	1,030	€ 399.00	€ 714.79
96550150	5	10–50	-	7–37	9x12	3/8	35	45	30	56	391.5	308.5	28	1,140	€ 439.00	€ 772.30



No reset to "0"

The low-wear release system with flexible rod works without a spring, and therefore does not require resetting to "0". This is the guarantee of consistently reliable measurement results, and saves time.



Quick adjustment without dismantling

The adjusting screws are quickly and easily accessible using resealable openings. After the torque wrench is adjusted the insulation itself does not need to be checked or retested.

QuickSelect quick settings

Thanks to QuickSelect, the target torque can be set in no time at all – and with extreme precision, since it can be read off very precisely on the finer secondary scale.

Discover our complete VDE product range!

The entire STAHLWILLE VDE programme includes more than 130 products.

For further information, please go to:

qr.stahlwille.com/LrYjqj



MADE IN CRONENBERG
MADE IN GERMANY



TOOL SETS – because every job is different. These sets provide better reliability and efficiency – thanks to their top quality.



Socket set 1/4"
40/16/3QR SCI

19-piece 1/4" socket set, including Quick-Release fine tooth ratchet with steel handle, 6 HPQ® sockets (6–13 mm) and a selection of bits. In a practical soft case.

Code 91220418

€ 99.00*

instead of € 191.34



Socket set 1/4"
40/20/4QR SCI

24-piece 1/4" socket set, including Quick-Release fine tooth ratchet, 10 HPQ® sockets (5–13 mm) and a selection of bits. In a practical soft case.

Code 96010127

€ 122.00*

instead of € 252.49



Ratchet bit set 1/4"
40/29/4 SCI

33-piece 1/4" socket set, including a fine tooth bit ratchet, 8 HPQ® sockets (5.5–14 mm) and a selection of bits. In a practical soft case.

Code 91220419

€ 99.00*

instead of € 303.44



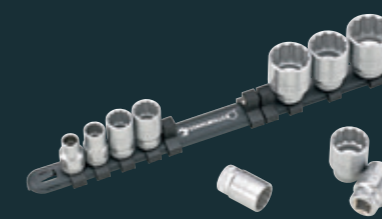
Socket set 1/4"
12916/10-40

10-piece HPQ® socket set on clip rail, double hexagon (5; 5.5; 6; 7; 8; 10; 11; 12; 13; 14 mm).

Code 96051010

€ 39.90*

instead of € 78.12



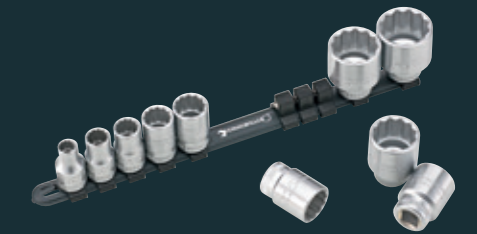
Socket set 3/8"
12917/10-45

10-piece HPQ® socket set on clip rail, double hexagon (8; 10; 13; 14; 15; 17; 19; 21; 22; 24 mm).

Code 96052010

€ 56.50*

instead of € 120.02



Socket set 1/2"
12918/10-50

10-piece HPQ® socket set on clip rail, double hexagon (10; 13; 14; 17; 19; 22; 24; 27; 30; 32 mm).

Code 96053010

€ 66.50*

instead of € 133.60

MADE IN CRONENBERG
MADE IN GERMANY



Socket set 1/4"
40D/40TX/
44KTX/32/6QR

38-piece 1/4" socket set with QuickRelease fine tooth ratchet and drive handle, plus wide range of screwdriver, INHEX and HPQ® sockets. 1/4" (5–13 mm) and 1/4" for external TORX® screws No. 40TX (E4–E10). In a plastic case.

Code 96010120

€ 235.00*

instead of € 475.52



Socket set 1/4" + 1/2"
40/52/45/12QR

57-piece Socket set 1/4" + 1/2", with 2 QuickRelease fine tooth ratchets, a selection of screwdriver and bit-screwdriver bits and HPQ® sockets (4–13 mm).

Code 91222607

€ 359.00*

instead of € 836.70



TORX® set 1/4" + 1/2"
54TX/44KTX/13

13-piece Set 1/4" + 1/2" with screwdriver bits for recessed TORX® screws, with 8 1/4" screwdriver bits for recessed TORX® screws no. 44KTX (T8–T30) and 5 1/2" screwdriver bits for recessed TORX® screws no. 54TX (T30–T60). In a plastic case.

Code 96011101

€ 98.00*

instead of € 213.99



Socket set 3/8"
45/14/5i QR

19-piece Socket set 3/8" with 14 HPQ® socket set (8–22 mm), one QuickRelease fine tooth ratchet, 2 extensions, one T-handle and one universal joint. In a plastic case.

Code 96021180

€ 179.00*

instead of € 363.43



INHEX set 1/2"
54/8

8-piece 1/2" set with INHEX sockets for socket head screws (5–17 mm). In a plastic case.

Code 91331216

€ 79.90*

instead of € 166.43



Socket set 3/4"
55/9/6N

15-piece set Socket set 3/4" with 9 sockets (32–60 mm), one ratchet head, 2 extensions, one flexible head, one sliding head and a bar handle. In a sturdy steel case.

Code 96050103

€ 479.00*

instead of € 962.37



SPANNER – lightweight meets robust high performance steel and comfortable rounded finish.



MADE IN CRONENBERG
MADE IN GERMANY



Ring end flat

Ratchet combination spanner set
17F/5

5-piece set, contents: 8; 10; 13; 17; 19 mm
Code 96401705

€ 62.50*
instead of € 117.76



Ratchet combination spanner set
17F/15

17-piece set, contents: 8; 9; 10; 11; 12; 13; 14; 15; 16; 17; 18; 19; 21; 22; 24 mm
Code 96401715

€ 199.00*
instead of € 464.20



Set of double open-ended spanners
10/6

6-piece set, contents: 10 x 11; 12 x 13; 14 x 15; 16 x 17; 18 x 19; 20 x 22 mm
Code 96400300

€ 32.00*
instead of € 56.76



Set of combination spanners
13/5

5-piece set, contents: 8; 10; 13; 17; 19 mm
Code 96400809

€ 38.50*
instead of € 71.34



Set of combination spanners
13/8

8-piece set, contents: 8; 10; 13; 16; 17; 18; 19; 22 mm
Code 96400807

€ 72.00*
instead of € 134.73



Ring side 15° angled

Ratchet combination spanner set
17/5

5-piece set, contents: 8; 10; 13; 17; 19 mm
Code 96411705

€ 75.90*
instead of € 140.39



Ratchet combination spanner set
17/15

17-piece set, contents: 8; 9; 10; 11; 12; 13; 14; 15; 16; 17; 18; 19; 21; 22; 24 mm
Code 96411715

€ 239.00*
instead of € 576.15

*Recommended retail price, valid until 28.02.2025. Only for participating dealers and while stocks last.



VBW TOOLS – designed and manufactured in Germany. Professional tools – since 1828.



Tool set bolt cutter LightCUT® / power mechanic's nippers MasterCUT 980LC/512

The LightCUT bolt cutter is 800 mm long and features powerful cutting performance with minimum force (cutting power up to hardness of 48 HRC).

- Lightweight at just 2,650 g thanks to the extremely sturdy aluminium handles
- Two-component handles provide a secure grip
- Blade and handle head made from drop-forged special steel for a long service life
- Reduced cutting force required due to optimised cutting geometry
- Limit stop with extra-large buffer zone
- Precise and simple adjustment of the blades using eccentric screws

Code 87991980

€ 135.00*

instead of € 189.15

The powerful MasterCUT mechanic's nippers are 300 mm long and impress with their low-effort cutting, even when using thicker binding wire. They can be used to fix and twist rebar in a single work step. The particularly slim design is ideal for binding low-lying iron.



VBW

Professional tools – since 1828. For generations, VBW has been synonymous with robust tools of the highest quality. Since the tools on construction sites often have to withstand the toughest conditions during demolition or renovation work, our tools are manufactured in Germany with the highest level of manufacturing precision. Numerous unique features also ensure efficient and comfortable work.

VBW – a STAHLWILLE Group brand.



Limited quantities available!

Professional electrician's set 86 E

6-piece Professional set consisting of 2 VDE screwdrivers for PZ/FL screws, a VDE wire stripper with self-adjusting discs for determining the cable cross section, a VDE wire cutter, a pair of VDE combination pliers and pair of electrician's scissors. In a practical textile case.

Code 87860020

€ 85.00*

instead of € 166.20

Water pipe pliers set 966 ST

3-piece Water pump pliers set, ideal for universal use in industry and trade. Standard sizes in lengths of 160 mm, 250 mm and 315 mm.

- Outstanding quality – hardened and tempered, for excellent wear resistance
- Push-through slip joint, extremely robust thanks to the double guides
- Self clamping on the workpiece for effortless and non-slip working
- Safety clamp protection against crushing injuries

Code 87966021

€ 47.00*

instead of € 65.30



MADE IN GERMANY

*Recommended retail price, valid until 28.02.2025. Only for participating dealers and while stocks last.



PRACTICAL HELPERS – versatile, smart, and always right where you need them. These are the little (and big!) tools for making your everyday work easier.



Screwdriver set
4687

5-piece screwdriver set – in a practical assortment of different drives (slotted and Philips).
Code 96469113

€ 22.90*

instead of € 48.00



Screwdriver set
4689TX

6-piece TORX® screwdriver set – in a practical assortment of different sizes.
Code 96469111

€ 27.90*

instead of € 53.90



Screwdriver set
4698

7-piece screwdriver set with voltage tester – in a practical assortment of different drives (slotted, Philips and PZ).
Code 96469112

€ 27.90*

instead of € 52.53



NEW

Plastic scraper set
10682/5

5-piece plastic scraper set for damage-free removal of seals, sealants, and residue.

- Made from fiberglass reinforced plastic
- Different blade shapes and widths
- Signal colour bright green
- In a practical textile case

Code 96722700

€ 39.00*

instead of € 84.35



Bit set
1206

56-piece bit set with many drive profiles and sizes for professional use.

Code 96080156

€ 39.90*

instead of € 84.91



Kneeling mat
KM STW

High-quality mat that protects your knees with a practical compartment for small parts and a carrying handle.

Code 83822520

€ 16.90*

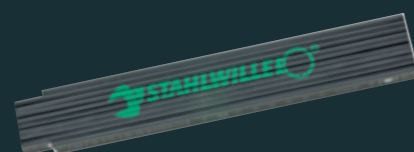
instead of € 27.01

Wooden folding ruler
13111

Code 77470002

€ 5.40*

instead of € 7.75



Spotlight
13133

Rechargeable spotlight for professional use.

- Includes power bank feature and charge level indicator
- Long operating duration of up to 13 hours (dimnable in three stages: 700 lm, 1400 lm, 2800 lm)
- With a magnetic holder and a 360° rotating hanging hook
- Sturdy plastic case with rubberised edge, protection class IP 54

Code 77490015

€ 69.90*

instead of € 121.70



Torch
13132

Professional aluminium torch with a highly efficient reflector system.

- Up to 130 lumens and 75 m range
- Sturdy aircraft-grade aluminium case
- With a practical clip and hand strap
- Lights for up to 4 hours

Protection class IP 54

Code 77490014

€ 18.50*

instead of € 30.42

Work light
13134

The all-rounder with powerful luminosity for mobile use.

- With 300 Lumen (up to 500 Lumen in quick boost mode) and range of 26 m
- Practical holding magnet in base and holding clip for universal use
- Operating duration up to 3 hours, rechargeable via USB cable with type C connection
- Charge level indicator

Code 77490016

€ 21.90*

instead of € 37.00



NEW

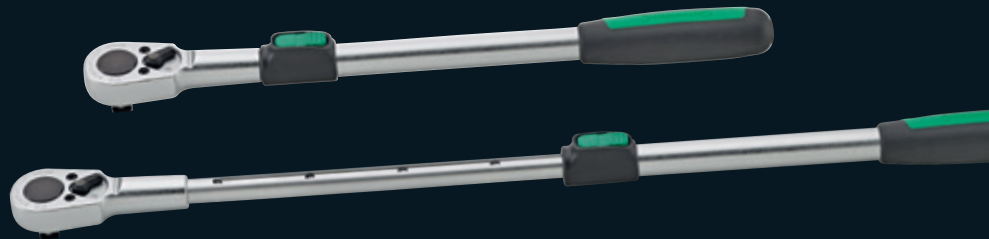


RATCHETS – specially designed for heavy loads and efficient working. Whilst maintaining reliability.

Telescopic ratchet 1/2" 516

- 5-fold adjustable shaft, up to 630 mm
- Robust 36-tooth ratchet drive, with DIN tested quality
- Maintenance-free, durable slide bearing

Code 13160000



€ 79.90*

instead of € 144.20

Code	No.	L mm	Teeth	Working angle	□"	g
13160000	516	410 – 630	36	10°	1/2	1120



The length can be adjusted conveniently and even with one hand in 55 mm increments (410 mm, 465 mm, 520 mm, 575 mm and 630 mm) using the rocker switch.



The robust ratchet has 36 teeth, and is manufactured in accordance with DIN 3122/ISO 3315.



The extension operates using maintenance-free slide bearings and stop protection, operates quickly and safely and is extremely durable.



The clockwise and counter-clockwise change-over switch is slightly recessed. This avoids accidental switching during use.

Ratchet set 1/4" + 1/2" 415QR/512QR

2-piece QuickRelease fine tooth ratchet set with 1/4" and 1/2" drive.

Code 91336421



€ 94.00*

instead of € 186.09

Available from your STAHLWILLE dealer

STAHLWILLE sales office Austria and CEE countries · Puchgasse 1/1.07 · 1220 Wien · Österreich (Austria)
Tel.: +43 1 6167616 · Fax: +43 1 6167555 · info@stahlwille.de · www.stahlwille.com

STAHLWILLE Eduard Wille GmbH & Co. KG · Lindenallee 27 · 42349 Wuppertal · Germany
Tel.: +49 202 4791-0 · Fax: +49 202 4791-200 · info@stahlwille.de · www.stahlwille.com

© STAHLWILLE Eduard Wille GmbH & Co. KG // 5-03-24 BMD // V 1.0 // 91970304