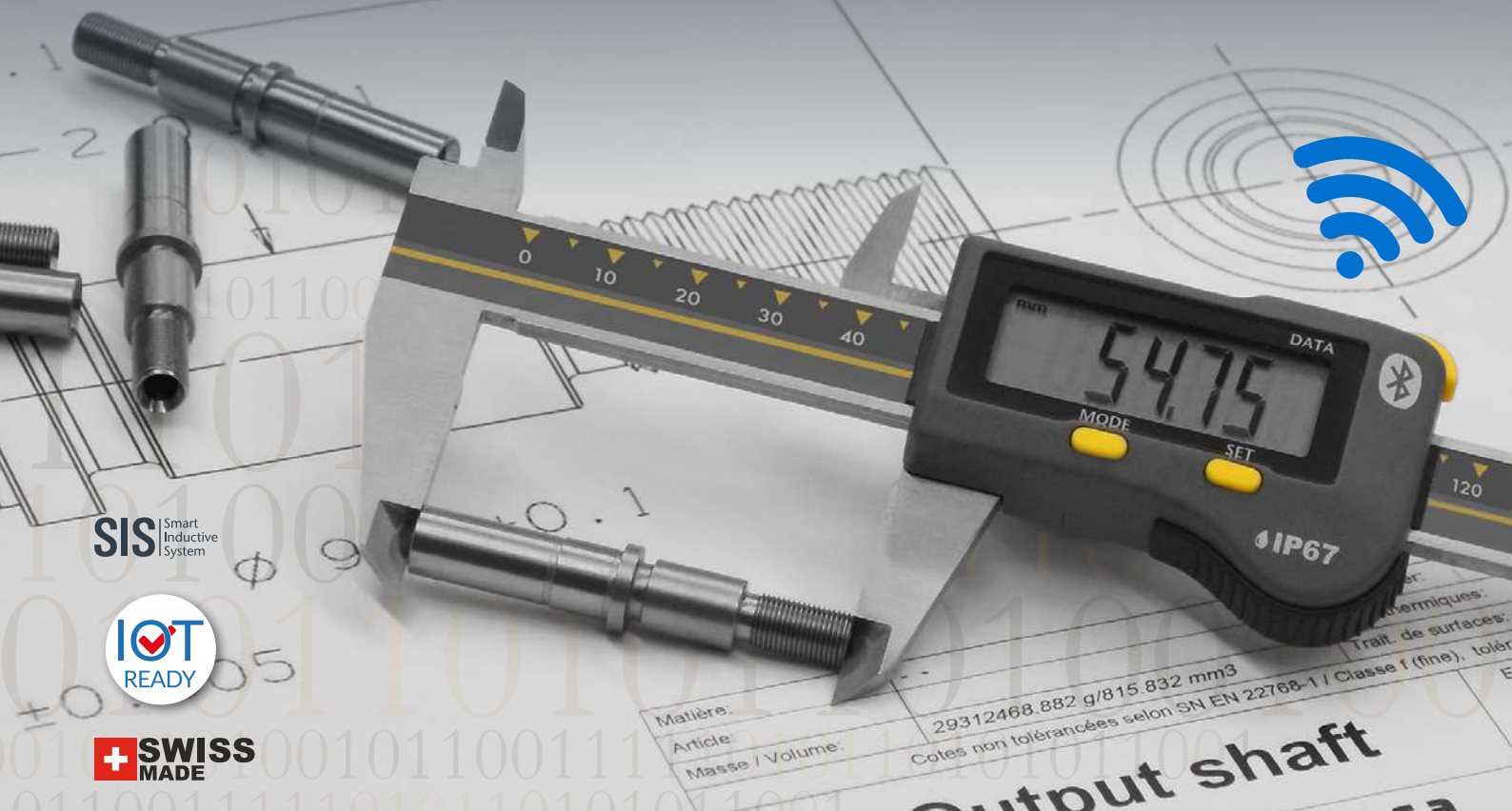


SETTING THE BAR EVEN HIGHER WITH EVO CALIPERS!

CALIPERS EVO



SIS Smart Inductive System



SWISS MADE



A comprehensive range



New design

IP67

IP67 for the entire range

All models are equipped with the reputable SIS system, are insensitive to magnetic fields and liquids and operate with low consumption and a battery life of up to 3 years.

Standard or special jaws, we have all the solutions.

S_CAL EVO BASIC

SIS Smart Inductive System

Very low consumption
Automatic sleep mode and re-activation
Memorisation of the position

- Basic version, with no data output
- Measuring range up to 300mm

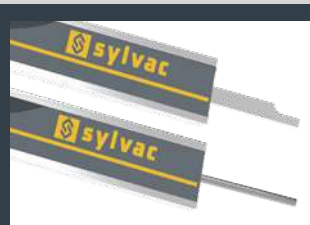


TECHNICAL SPECIFICATIONS

		810.1502	810.1507	810.1522	810.1532
Model	mm	Basic	Basic	Basic	Basic
Measuring range	mm	150	150	200	300
Depth gauge	mm	4x1.4	Ø1.5	4x1.4	-
Resolution	mm	0.01	0.01	0.01	0.01
Protection		IP67	IP67	IP67	IP67

IP67 **SIS** Smart Inductive System **DIN 862**

SPECIFICATIONS



Depth gauge



Absolute system S.I.S.



IP67 protection



Large display

S_CAL EVO PROXIMITY

PROXIMITY

SIS Smart Inductive System

- Very low consumption
- Automatic sleep mode and re-activation
- Memorisation of the position



Like the Basic version and in addition:

- Proximity data output via RS232 or USB
- Also available with micron resolution

1 μm RESOLUTION

TECHNICAL SPECIFICATIONS

		810.1702	810.1707	810.1722	810.1732	810.9702	810.9707
Model	mm	Proximity	Proximity	Proximity	Proximity	Proximity Micron	Proximity Micron
Measuring range	mm	150	150	200	300	150	150
Depth gauge	mm	4x1.4	Ø1.5	4x1.4	-	4x1.4	Ø1.5
Resolution	mm	0.01	0.01	0.01	0.01	0.001	0.001
Protection		IP67	IP67	IP67	IP67	IP67	IP67

IP67 SIS Smart Inductive System **DIN 862**

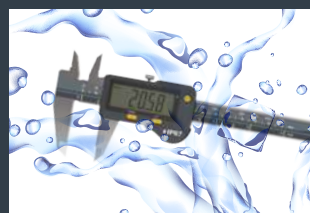
SPECIFICATIONS



Depth gauge



Micron version



IP67 protection



Proximity data output

S_CAL EVO SMART



WITH CONNECTION PROFILES

SIMPLE - PAIR - HID

Like the Basic version and in addition:

- Bluetooth® wireless data output with 3 different connection profiles: Simple, Pair or HID
- Also available with micron resolution



1 μ m
RESOLUTION

TECHNICAL SPECIFICATIONS

		810.1506	810.1516	810.1526	810.1536	810.9506	810.9516
Model	mm	Smart	Smart	Smart	Smart	Smart Micron	Smart Micron
Measuring range	mm	150	150	200	300	150	150
Depth gauge	mm	4x1.4	Ø1.5	4x1.4	-	4x1.4	Ø1.5
Resolution	mm	0.01	0.01	0.01	0.01	0.001	0.001
Protection		IP67	IP67	IP67	IP67	IP67	IP67

IP67 **SIS** Smart Inductive System **DIN 862**

SPECIFICATIONS



Depth gauge



Micron version

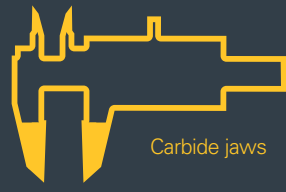


IP67 protection



Bluetooth® data output

S_CAL EVO CARBIDE



- Carbide jaws
- With or without Bluetooth® wireless data output (Simple, Pair, HID)



TECHNICAL SPECIFICATIONS

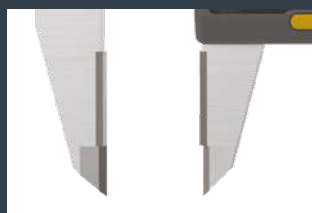
		810.1509	810.1409
Model	mm	Carbide Smart	Carbide
Measuring range	mm	150	150
Depth gauge	mm	4x1.4	Ø1.5
Resolution	mm	0.01	0.01
Protection		IP67	IP67

IP67 **SIS** Smart Inductive System **DIN 862**

SPECIFICATIONS



Depth gauge



Carbide jaws



IP67 protection



With or without data output

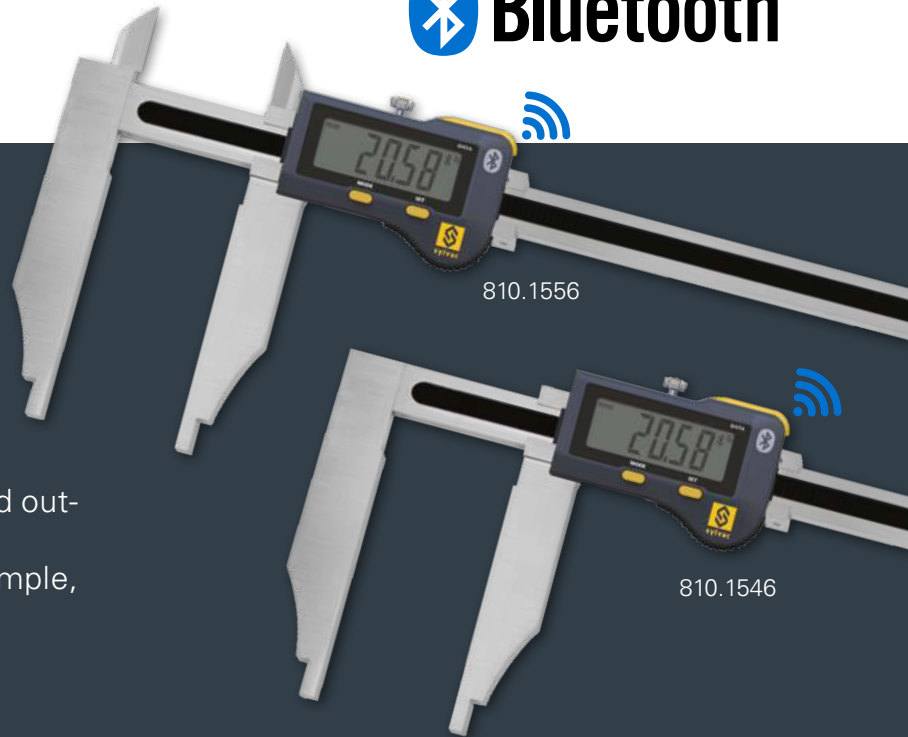
S_CAL EVO FORM E & B



WITH CONNECTION PROFILES

SIMPLE - PAIR - HID

- «Mid Size» R5 version for inside and outside measurements
- Bluetooth® wireless data output (Simple, Pair, HID)
- Measuring range up to 500mm



TECHNICAL SPECIFICATIONS

		810.1546	810.1556	810.1558
Model	mm	Form E Smart	Form B Smart	Form B Smart
Measuring range	mm	300	300	500
Bar section	mm	17x5	17x5	17x5
Resolution	mm	0.01	0.01	0.01
Protection		IP67	IP67	IP67

IP67 **SIS** Smart Inductive System **DIN 862**

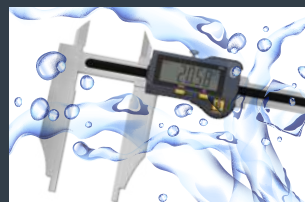
SPECIFICATIONS



Measurement jaws



Wide selection of functions

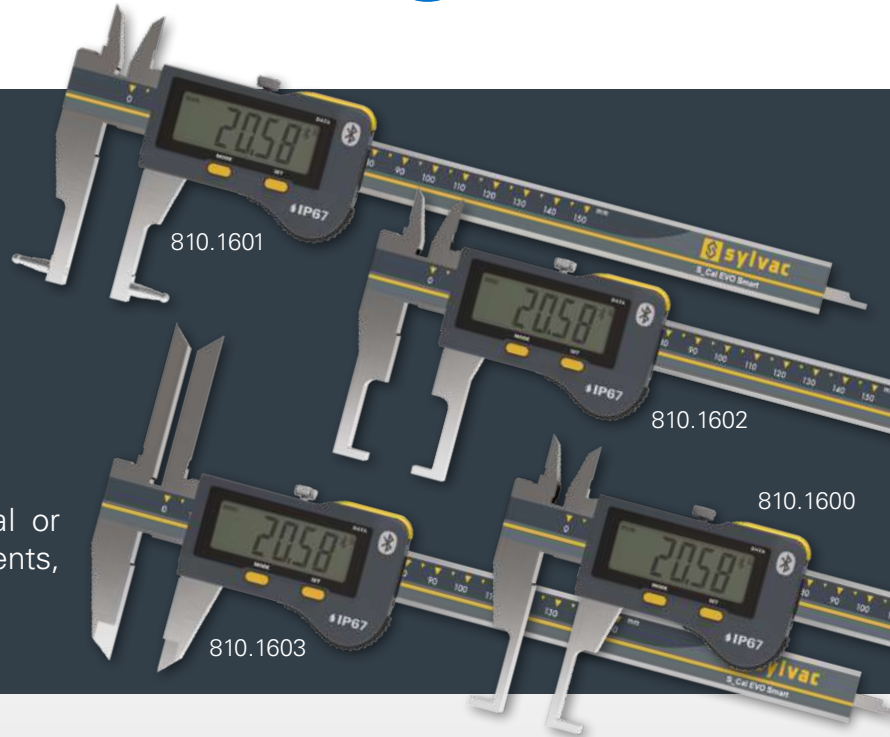
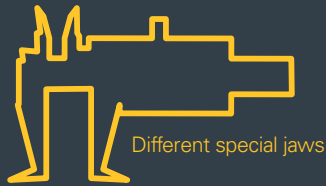


IP67 protection



Bluetooth® data output

S_CAL EVO SPECIAL



Like the Smart version and in addition:

- Special jaws for measuring internal or external grooves and deep measurements, depending on the model.

TECHNICAL SPECIFICATIONS

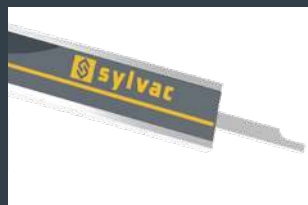
		810.1600	810.1601	810.1602	810.1603
Model	mm	Internal Groove	Points Jaws	External Groove	Deep Measurement
Measuring range	mm	150	150	150	150
Depth gauge	mm	4x1.4	4x1.4	4x1.4	4x1.4
Resolution	mm	0.01	0.01	0.01	0.01
Protection		IP67	IP67	IP67	IP67

IP67 **SIS** Smart Inductive System **DIN 862**

SPECIFICATIONS



Special jaws



Depth gauge

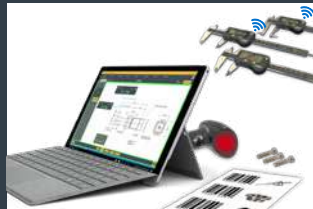
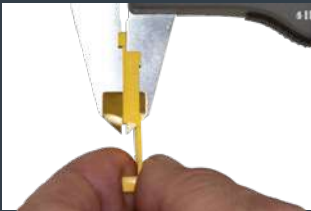


IP67 protection



Bluetooth® data output

APPLICATIONS



sylvac

Experts in connected metrology !